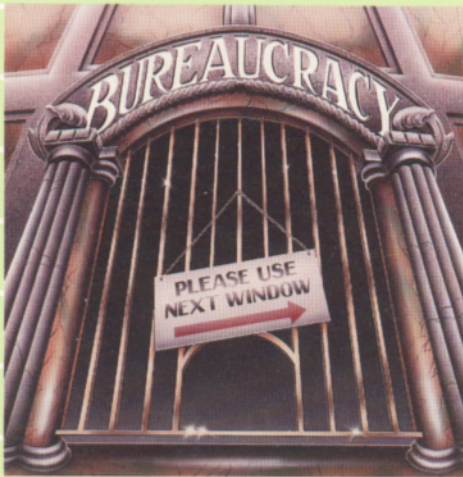


InvisiClues™

The Hint Booklet for
Hollywood Hijinx and Bureaucracy



INFOCOM™

\$5.95

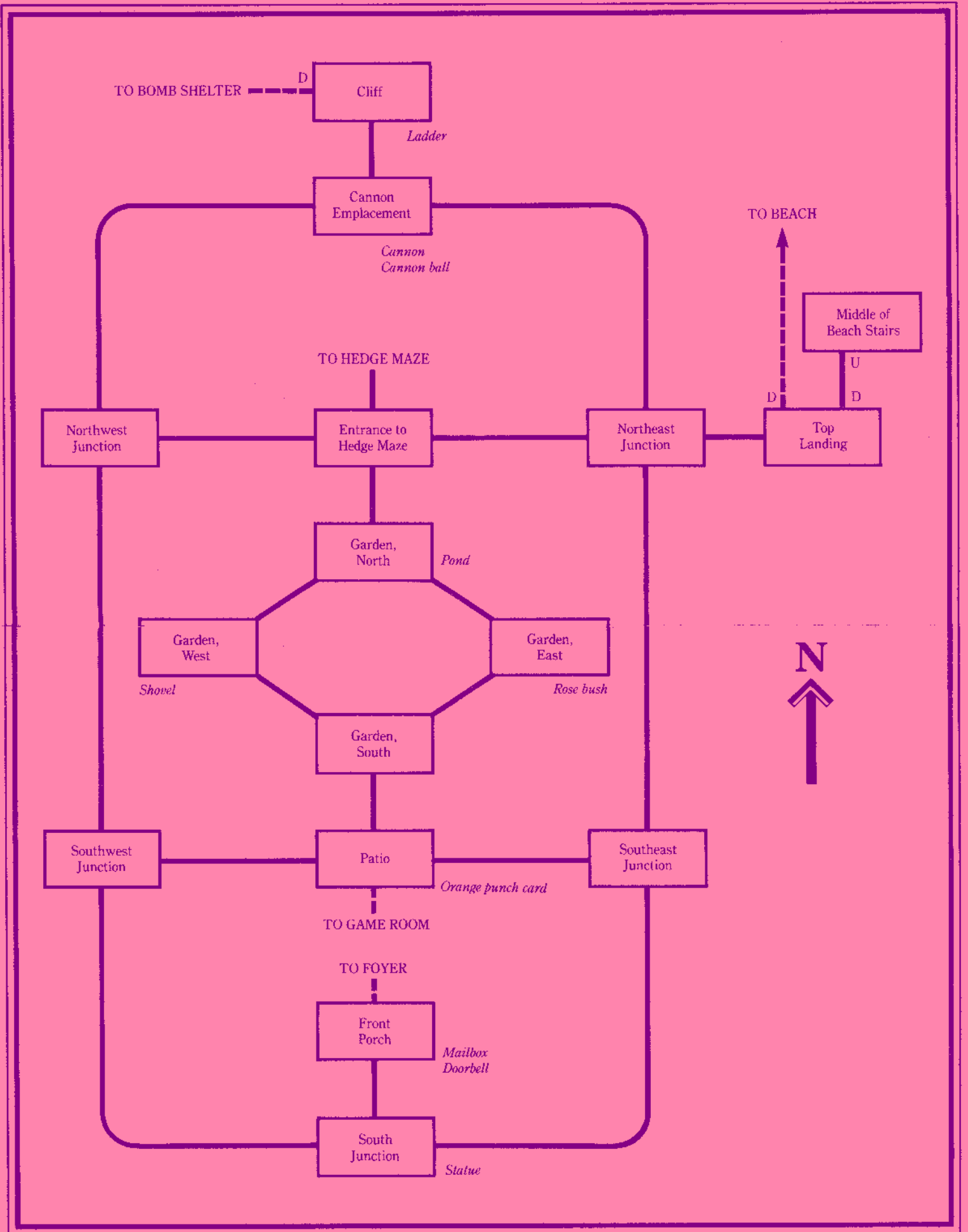
HOMES OF THE STARS

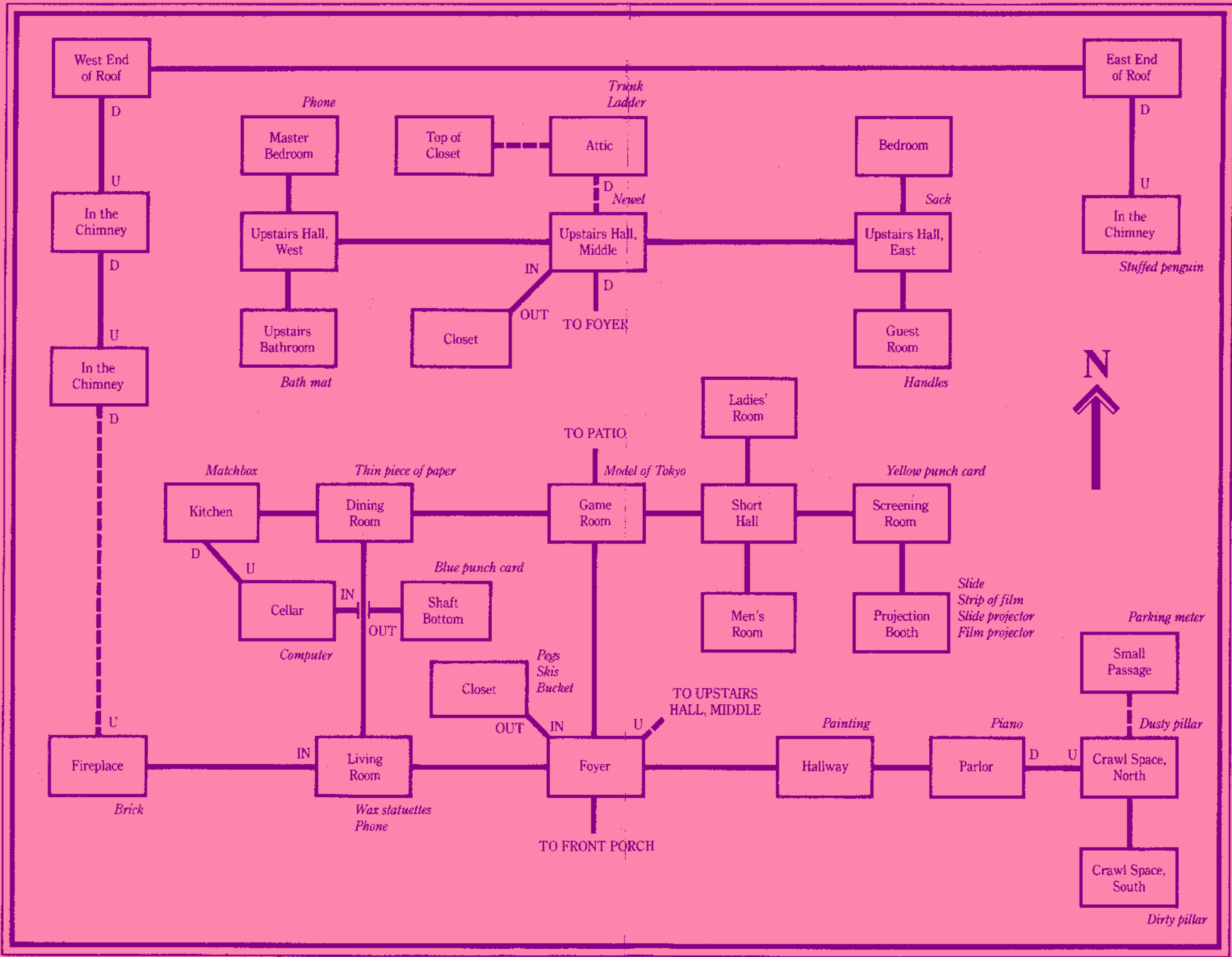
OFFICIAL
MAP

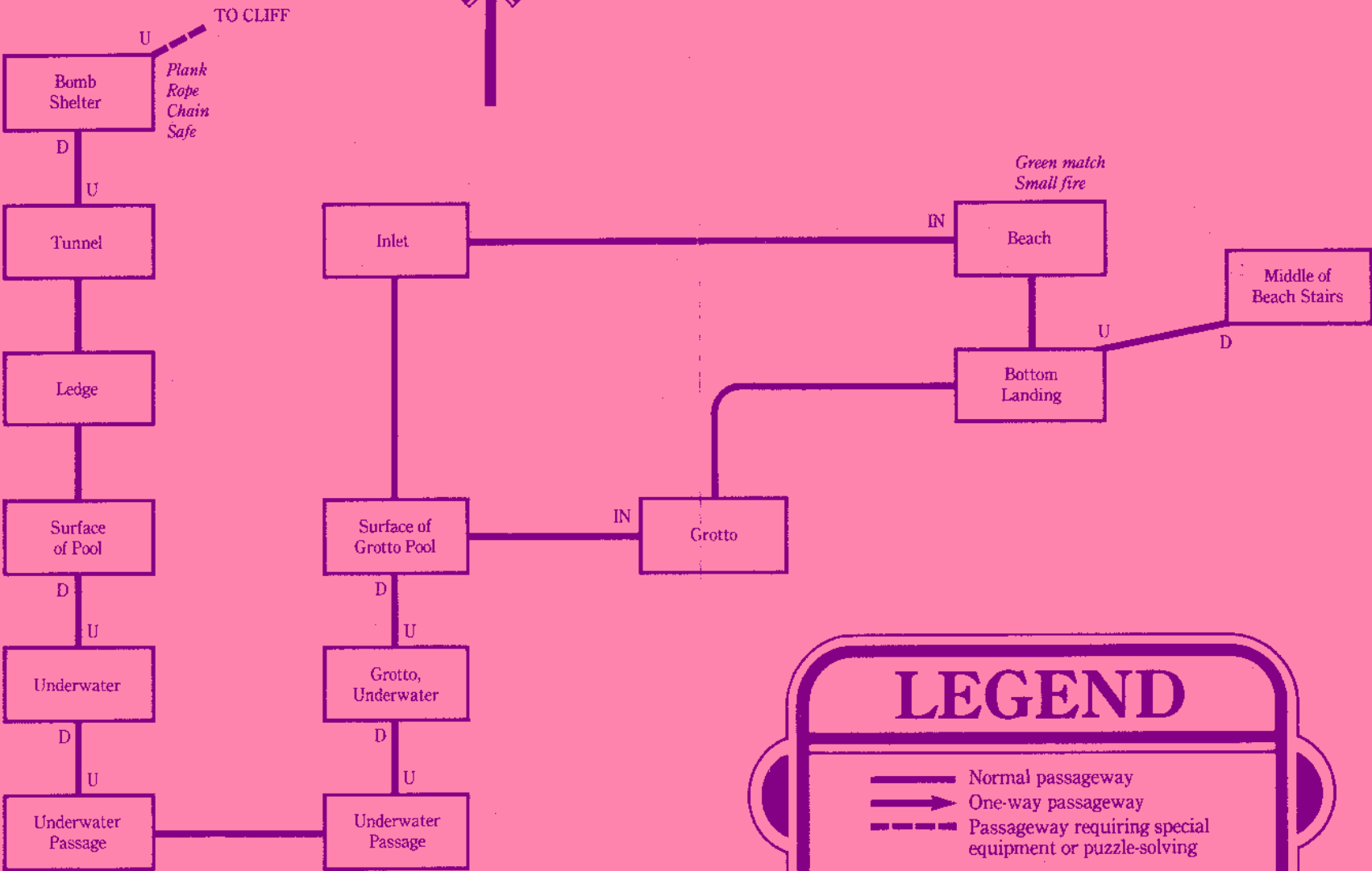


Hildegarde & Buddy Burbank's

★ Hildebud ★







LEGEND

- Normal passageway
- One-way passageway
- Passageway requiring special equipment or puzzle-solving

Note: Vertical connections are labelled U (for UP) and D (for DOWN).

Ever Wonder How The Stars Live? Now You Can Find Out!

When you think back on the people who have touched you most deeply, the first to come to mind are the film stars who enliven your leisure moments. Who else has the capacity to make your eyes brim with tears or your heart swell with tenderness? Who else can make you laugh uproariously or put you on the edge of your seat in suspense? Who else inspires such depths of admiration and adoration?

Now you can be closer to the stars than you ever dreamed possible. You can actually *visit their homes* and *see how they live*, with HOMES OF THE STARS official maps. HOMES OF THE STARS are the only maps that give you full layouts of the homes and gardens of your favorite stars, including secret passageways, recreational areas, and locations of treasured objects!

Look for These Exciting Maps at Your Local Newstand

Pay a visit to BUCK PALACE	\$5.95
Explore Hildebud, home of HILDEGARDE & BUDDY BURBANK	\$5.95
Check out the hilltop estate of TARA DOLAN	\$5.95
Drop in on "LITTLE HERMAN" BEAUMONT	\$5.95
Peek into the bungalow of exotic CONCHITA CARLOUGH	\$5.95
Say hey to comic MATT GREIF	\$5.95
Pop by the beachfront condo of DOROTHY LAFLANK	\$5.95

***** SPECIAL OFFER AVAILABLE AT SELECTED NEWSTANDS *****

All seven maps, only \$9.95!

INFOCOM™

Infocom, Inc., 125 CambridgePark Dr., Cambridge, MA 02140
HOLLYWOOD HJINX
is a trademark of Infocom, Inc.

©1987 Infocom, Inc.
Printed in U.S.A.

1 2 3 4 5 6 7 8 9 — 91 90 89 88 87
HB-IA4-MAP